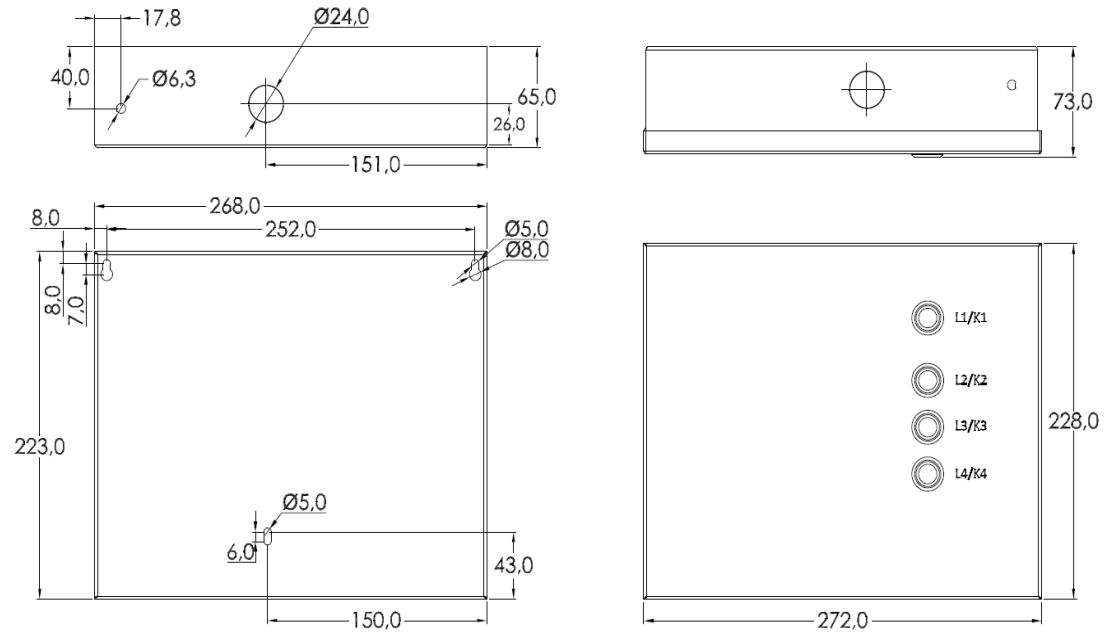


AV-CP6 Series Control Panel Instructions

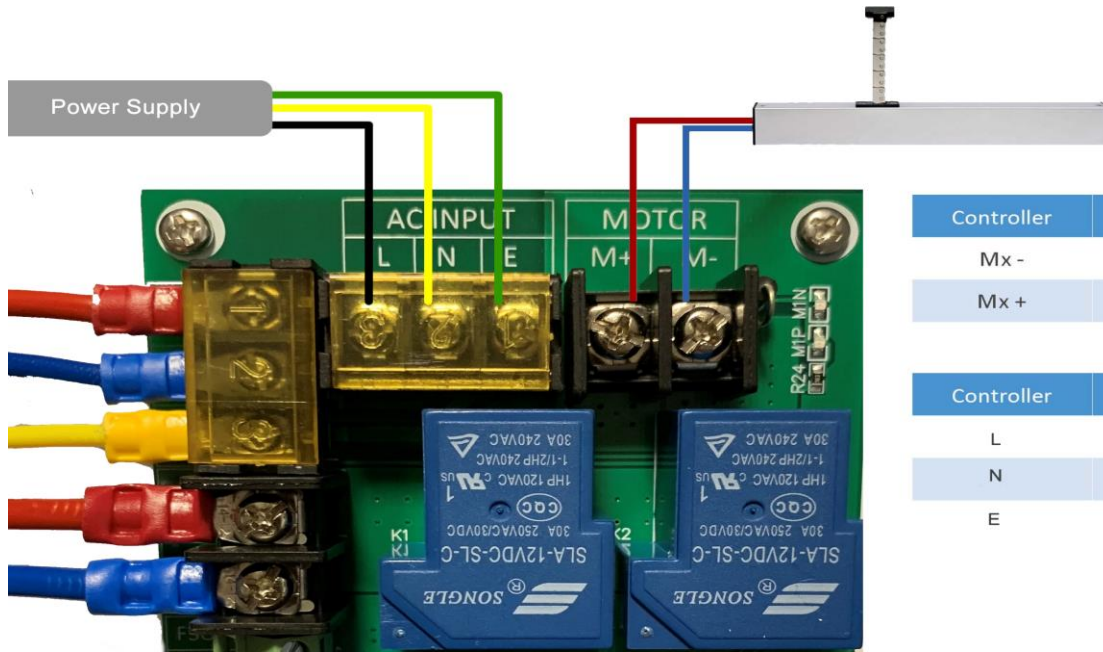


Dimensions above are for the AV-CP611 series controllers only.

Model	Power(W)	Channel	Vin(VAC)	Vout(VDC)	Frequency	Size(mm)
AV-CP611-10A	240	1	110/230	24	433.92MHz	272*228*73mm
AV-CP611-20A	480	1	110/230	24	433.92MHz	272*228*73mm
AV-CP621-40A	960	1	110/230	24	433.92MHz	292*258*87mm

LED/KEY	Color	Status	Function
L1 / K1	Blue	On/Off	AC power, Reset
L2 / K2	Green	On/Off/Flash	Open
L3 / K3	Red	On/Off	Stop
L4 / K4	Yellow	On/Off	Close

AV-CP6 Series Control Panel Wiring



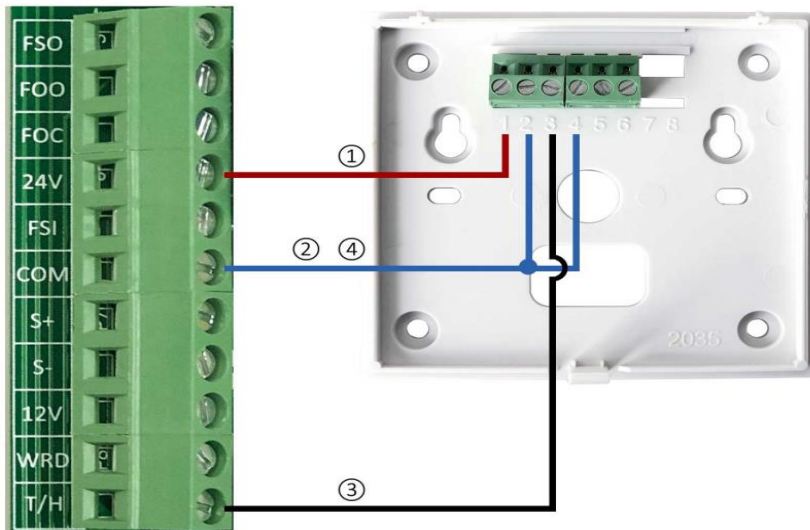
Controller	Vent Opener
Mx -	Blue
Mx +	Brown

Controller	Power Supply
L	Line - Black
N	Common - White
E	Ground - Green



Set DIP switch to ON when no controller is used

AV-TH001 Temperature / Humidity Control Wiring



Controller	TH001
Terminal	Terminal
24V	1
COM	2+4
T/H	3



Set DIP switch to 1 if using the AV-TH001 controller

*DIP switch is located in lower right corner of the control panel circuit board.



Typical wired control panel setup

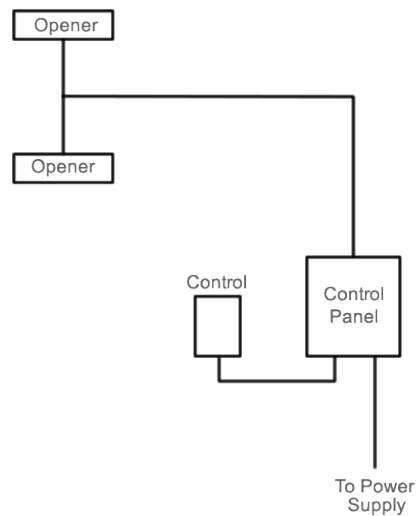


FIGURE 3

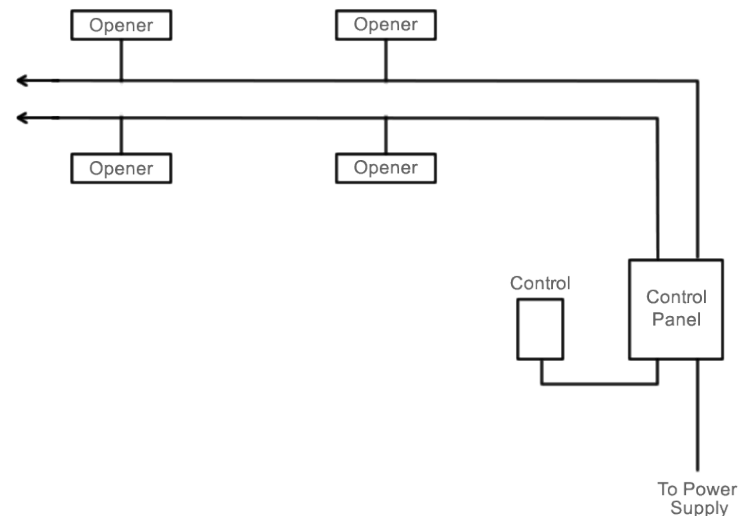


FIGURE 4

The wiring method in Figure 3 is commonly used in applications where 4 or less openers will be installed with less than 40' of total wiring run. 14 gauge wire can be used in this scenario. Figure 4 divides the power to the openers into multiple lines. It is recommended for applications of 4 or more openers and/or wiring runs over 40'. 14 gauge wire can still be used with this method for up to 8 openers with a wiring run of 40' or less (per line). 12 gauge wire should be used for longer runs.

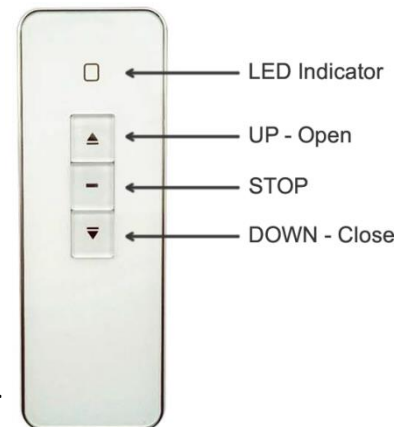
AV-RT111 Remote Control Instructions

Pairing Remote with Control Panel

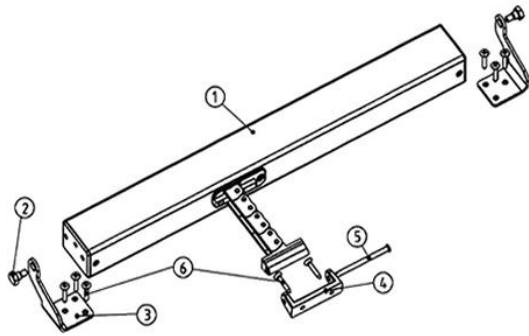
1. Power the control panel on or press reset if already on. Press and hold the STOP button for 5 seconds.
2. Press UP on the remote for 15 seconds. The LED on the remote should flash 3 times and turn off during this process.

Remove Pairing with Control Panel

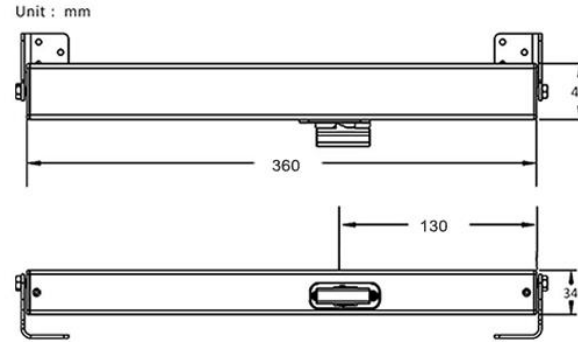
1. Power the control panel on or press reset if already on. Press and hold the STOP button for 5 seconds.
2. Press DOWN on the remote for 15 seconds. The LED on the remote should flash 3 times and turn off during this process.



AV-SCE Vent Opener Instructions



1. Actuator
2. Hexagonal head screw
3. Fixed Bracket
4. Fixed Holder
5. Pin
6. M5 self tapping screw



Opener Specifications

Voltage: 24V DC

Max Current: 1 amp

Max Lifting Weight: 55 lbs.

Arm Travel Distance: 12"

Time to Open / Close: ~ 35 seconds

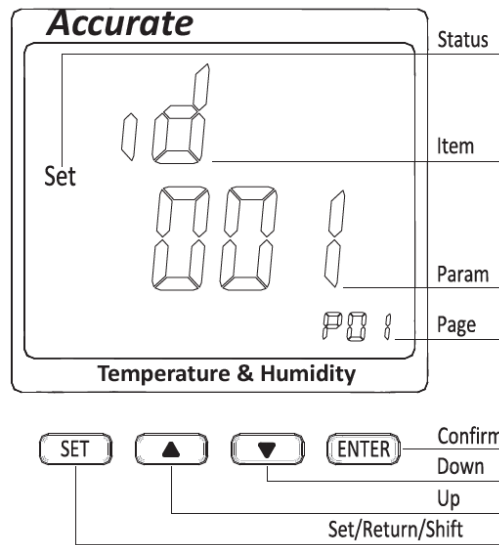
Operating Temp Range: -4F to 149F



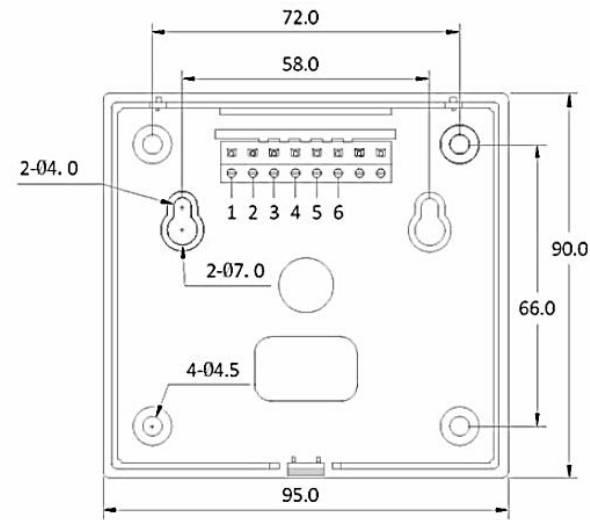
1. Attach the fixed brackets to the actuator. Place the opener on the frame where the arm will attach as close to the center of the vent as possible, and mark the location of both brackets.
2. Unscrew the fixed brackets, and place them where marked on the frame (mounting position shown is for Cross Country greenhouses and optimal position may vary for other brands).
3. Use the provided Hex head screws starting with the center hole. They are self-tapping so no pre-drilling is needed. For Cross Country greenhouses the top hole is not used because the screw will damage the covering / glazing on most models.
4. Mount the actuator to the fixed brackets, and place the fixed arm holder on the vent where the arm will make contact when extended. Use the Phillips head screws to attach the fixed arm holder to the vent frame. Press open on the control panel or remote to move the head of the arm in position to secure it to the holder with the attached bolt.
5. Fully open and close the vent to make sure it operates smoothly. Repeat this process for the rest of the openers.



AV-TH001 Temperature/Humidity Controller Instructions

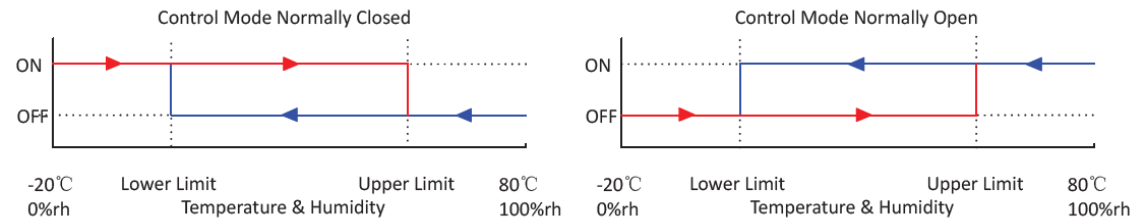


Unit: mm



Operation instructions

- On the initial page, press "SET" button and enter defaulted password "0000"
- Press "UP" "DOWN" keys to switch TD, ID, Baud, DO1, DO2, Date and Time
- A total of 22 setting pages, press "UP" "DOWN" keys to select the item to set
- Press "ENTER" key to set the parameter on the page
- After the parameter adjusted, press "ENTER" button to save the settings
- Press the "SET" key to return to the initial page



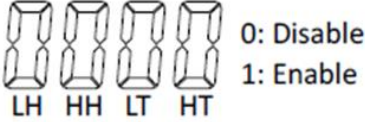
The AV-TH001 can control openers based on humidity or temperature. You can select both a high and low limit for either humidity or temperature. DO NOT ENABLE BOTH humidity and temperature. The autovent system will not operate correctly if you do.

For optimal operation and accuracy:

Do not install directly against an outside wall or in direct sunlight.

Protect from direct contact with water. Do not place in direct path of misting or fogging system.

AV-TH001 Setting Pages and Parameters

Page	Parameter	Description	Default	Notes
P:01	Address	1-247	1	Use default setting
P:02	Baud Rate	1200-19200	19.2	Use default setting
P:03	Check Mode	n81/o81/e81	n81	Use default setting
P:04	Temp Units	C: Celsius F: Fahrenheit	C	Change to F if desired
P:05	DO1 Usage	Ctrl: Control Mode	ctrl	Use default setting
P:06	DO2 Usage	Alarm: Alarm Mode	ctrl	Use default setting
P:07	DO1 Enable (Temperature)		0011	Change to 0000 if you want to disable temperature control
P:08	DO2 Enable (Humidity)		1100	Change to 0000 if you want to disable humidity control
P:09	DO1 Normal State	OFF: Normally Open	OFF	Opens above HT setpoint (Cooling)
P:10	DO2 Normal State	ON: Normally Closed	OFF	Opens above HH setpoint (Dehumidify)
P:11	High Temp (HT)	High Temperature Limit	optional	Set the temperature you want the vents to open. Units are in Celsius
P:12	Low Temp (LT)	Low Temperature Limit	optional	Set the temperature you want the vents to close. Units are in Celsius
P:13	High Humidity (HH)	High Humidity Limit	optional	Set the humidity % you want the vents to open.
P:14	Low Humidity (LH)	Low Humidity Limit	optional	Set the humidity % you want the vents to close.
P:15	Temp Buffer Value	Temperature Buffer: 0.1C	0.1	Use default setting
P:16	Humidity Buffer Value	Humidity Buffer: 1rh%	1	Use default setting
P:17	Date Setting	Year - Month - Day	optional	Set the current date
P:18	Time Setting	Hour - Minute - Second	optional	Set the current time
P:19	Password	Security Lockout Feature: 0000-9999	0000	If you change the password, make sure you write it down!
P:20	Recording Cycle Setting	1-1440 minutes	1	Use default setting
P:21	None		1234	Use default setting
P:22	None		20	Use default setting