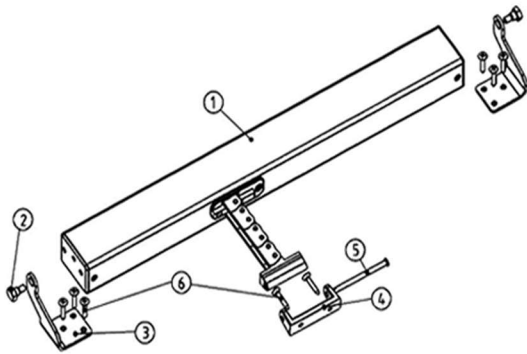
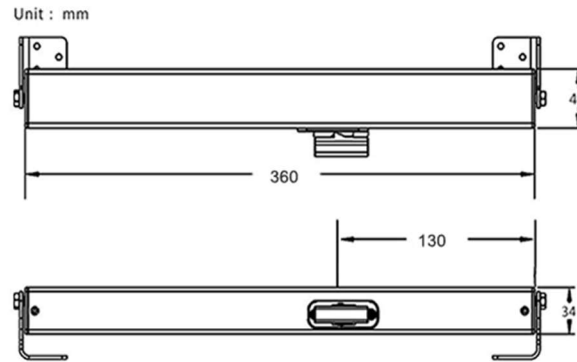


AV-SCE Vent Opener Instructions



1. Actuator
2. Hexagonal head screw
3. Fixed Bracket
4. Fixed Holder
5. Pin
6. M5 self tapping screw



Opener Specifications

- Voltage: 24V DC
 Max Current: 1 amp
 Max Lifting Weight: 55 lbs.
 Arm Travel Distance: 12"
 Time to Open / Close: ~ 35 seconds
 Operating Temp Range: -4F to 149F



1



2



3



4

1. Attach the fixed brackets to the actuator. Place the opener on the frame where the arm will attach as close the center of the vent as possible, and mark the location of both brackets.
2. Unscrew the fixed brackets, and place them where marked on the frame (mounting position shown is for Cross Country greenhouses and optimal position may vary for other brands).
3. Use the provided Hex head screws starting with the center hole. They are self-tapping so no pre-drilling is needed. For Cross Country greenhouses the top hole is not used because the screw will damage the covering / glazing on most models.
4. Mount the actuator to the fixed brackets, and place the fixed arm holder on the vent where the arm will make contact when extended. Use the Phillips head screws to attach the fixed arm holder to the vent frame. Press open on the control panel or remote to move the head of the arm in position to secure it to the holder with the attached pin (#5 on parts diagram). NOTE: It is recommended blue thread locker be applied to the threads on the pin to keep the nut from coming loose during operation.
5. Fully open and close the vent to make sure it operates smoothly. Repeat this process for the rest of the openers.



5