

Wiring and Installation Guide

AV-AC Series Control Panel Instructions



Model	Power (watts)	Input	Output	Maximum Openers
10 Amp	240 max	120v AC	24v DC	10
20 Amp	480 max	120v AC	24v DC	20

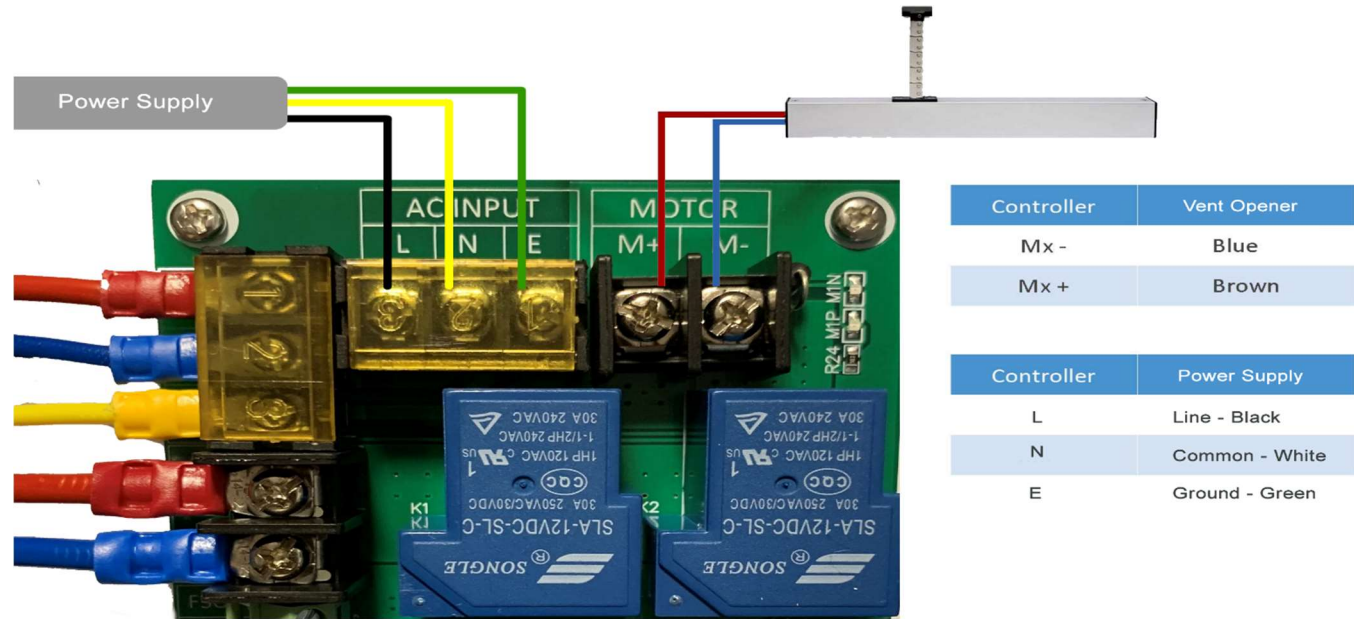
System Power Consumption

Control Panel ~12 watts constant
 Each Opener ~5 watts during operation

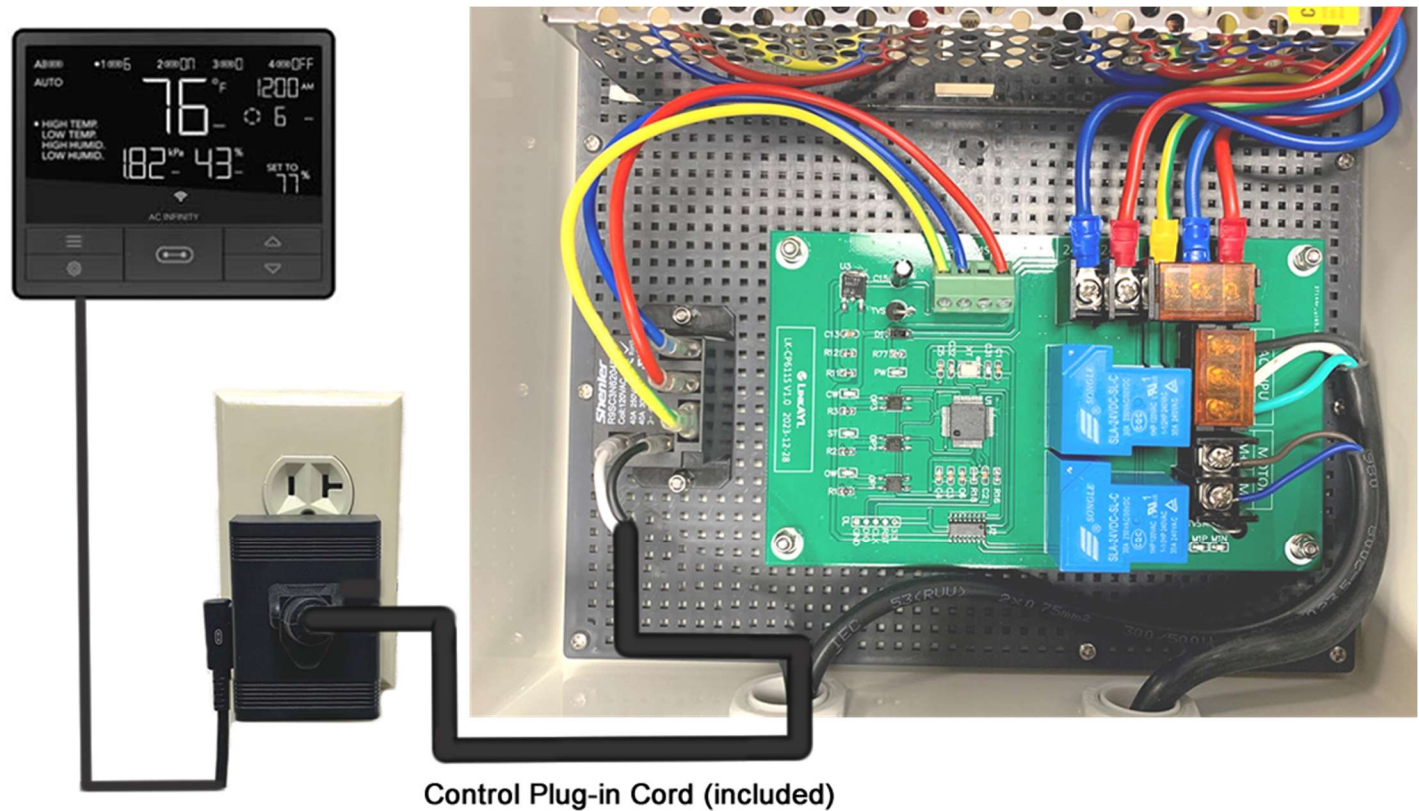
Control Panel Dimensions

Height 14"
 Width 10"
 Depth 3 3/4"

Control Panel Wiring



Typical Plug-in Control Setup



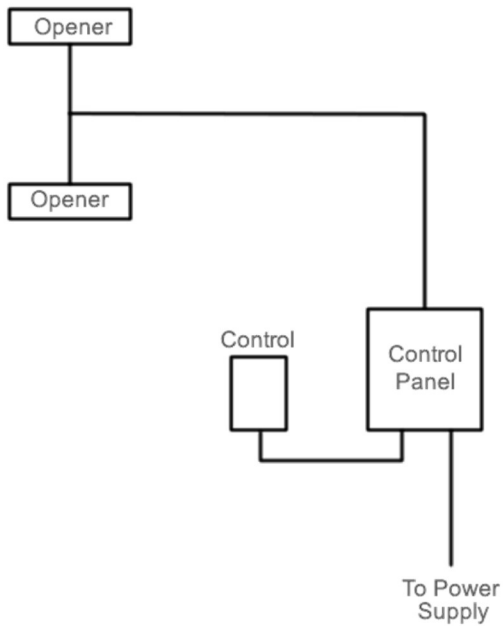


FIGURE 3

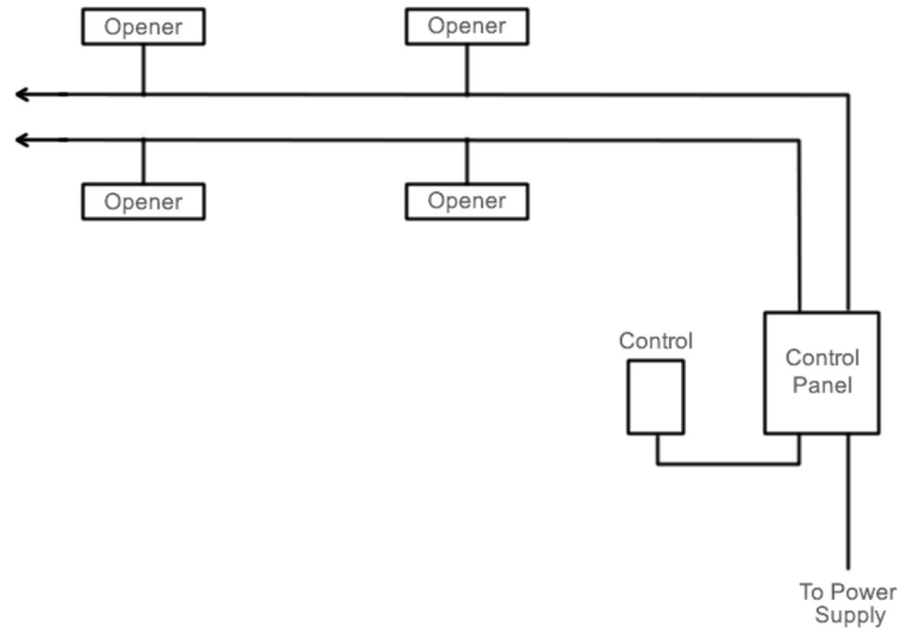
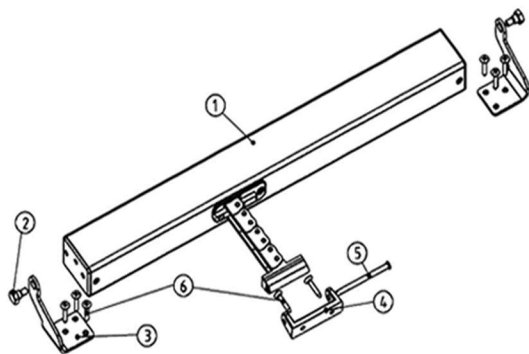


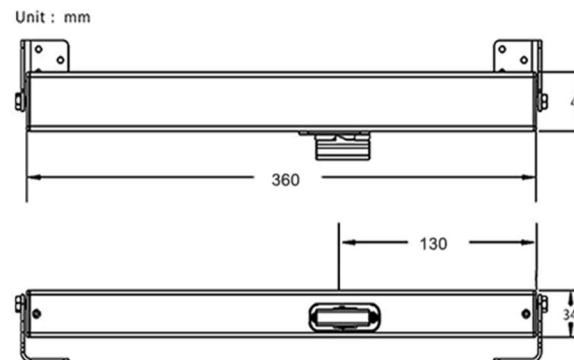
FIGURE 4

The wiring method in Figure 3 is commonly used in applications where 4 or less openers will be installed with less than 40' of total wiring run. 14 gauge wire can be used in this scenario. Figure 4 divides the power to the openers into multiple lines. It is recommended for applications of 4 or more openers and/or wiring runs over 40'. 14 gauge wire can still be used with this method for up to 10 openers with a wiring run of 50' or less (per line). 12 gauge wire should be used for longer runs. Voltage to each opener should not drop below 22V DC.

AV-SCE Vent Opener Instructions



1. Actuator
2. Hexagonal head screw
3. Fixed Bracket
4. Fixed Holder
5. Pin
6. M5 self tapping screw



Opener Specifications

Voltage: 24V DC
 Max Current: 1 amp
 Max Lifting Weight: 55 lbs.
 Arm Travel Distance: 12"
 Time to Open / Close: ~ 35 seconds
 Operating Temp Range: -4F to 149F



1. Attach the fixed brackets to the actuator. Place the opener on the frame where the arm will attach as close the center of the vent as possible, and mark the location of both brackets.
2. Unscrew the fixed brackets, and place them where marked on the frame (mounting position shown is for Cross Country greenhouses and optimal position may vary for other brands).
3. Use the provided Hex head screws starting with the center hole. They are self-tapping so no pre-drilling is needed. For Cross Country greenhouses the top hole is not used because the screw will damage the covering / glazing on most models.
4. Mount the actuator to the fixed brackets, and place the fixed arm holder on the vent where the arm will make contact when extended. Use the Phillips head screws to attach the fixed arm holder to the vent frame. Press open on the control panel or remote to move the head of the arm in position to secure it to the holder with the attached pin (#5 on parts diagram).

NOTE: It is recommended blue thread locker be applied to the threads on the pin to keep the nut from coming loose during operation.



5. Fully open and close the vent to make sure it operates smoothly. Repeat this process for the rest of the openers.